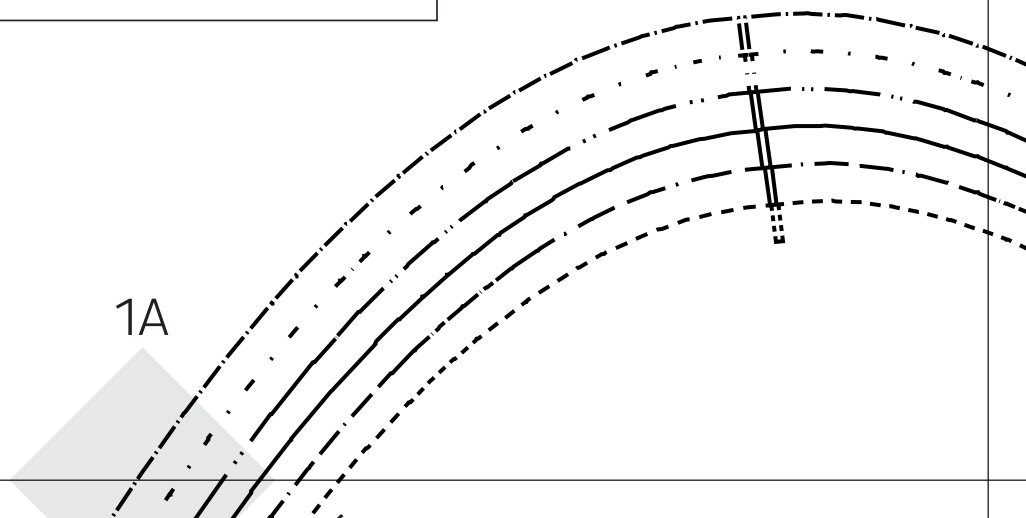


Carré ref
10 cm x 10 cm

1A

1A



1B Cousette patterns

Devant

Florette - Manche

Ce patron est réservé à un usage personnel.
Toute reproduction ou utilisation commerciale,
même partielle, est interdite.

XS

S

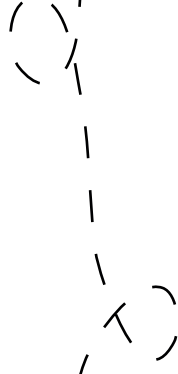
M

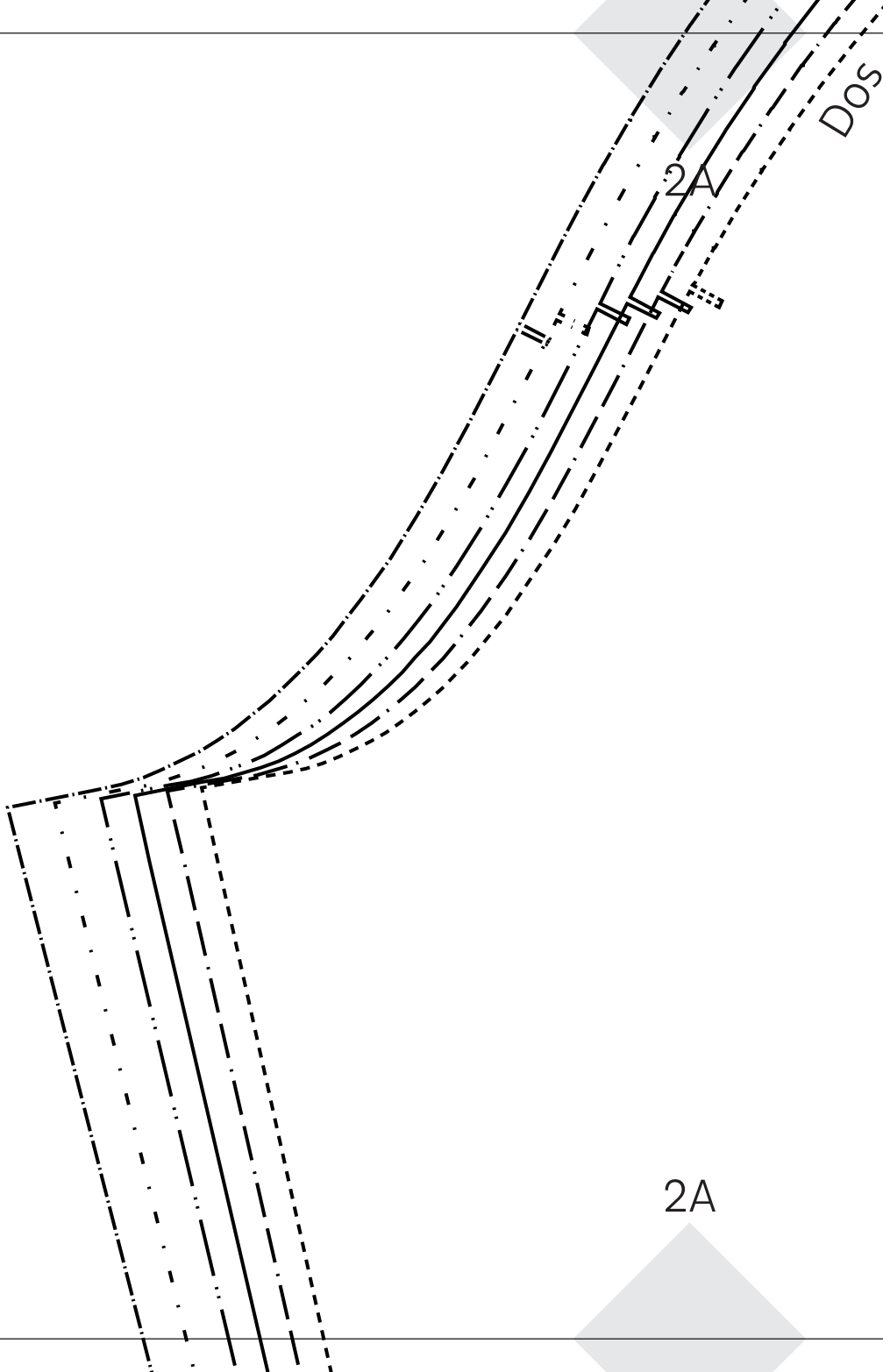
L

LL

XL

1B





Florett

Manche
couper x2 tis

9/9

2A



tte

he

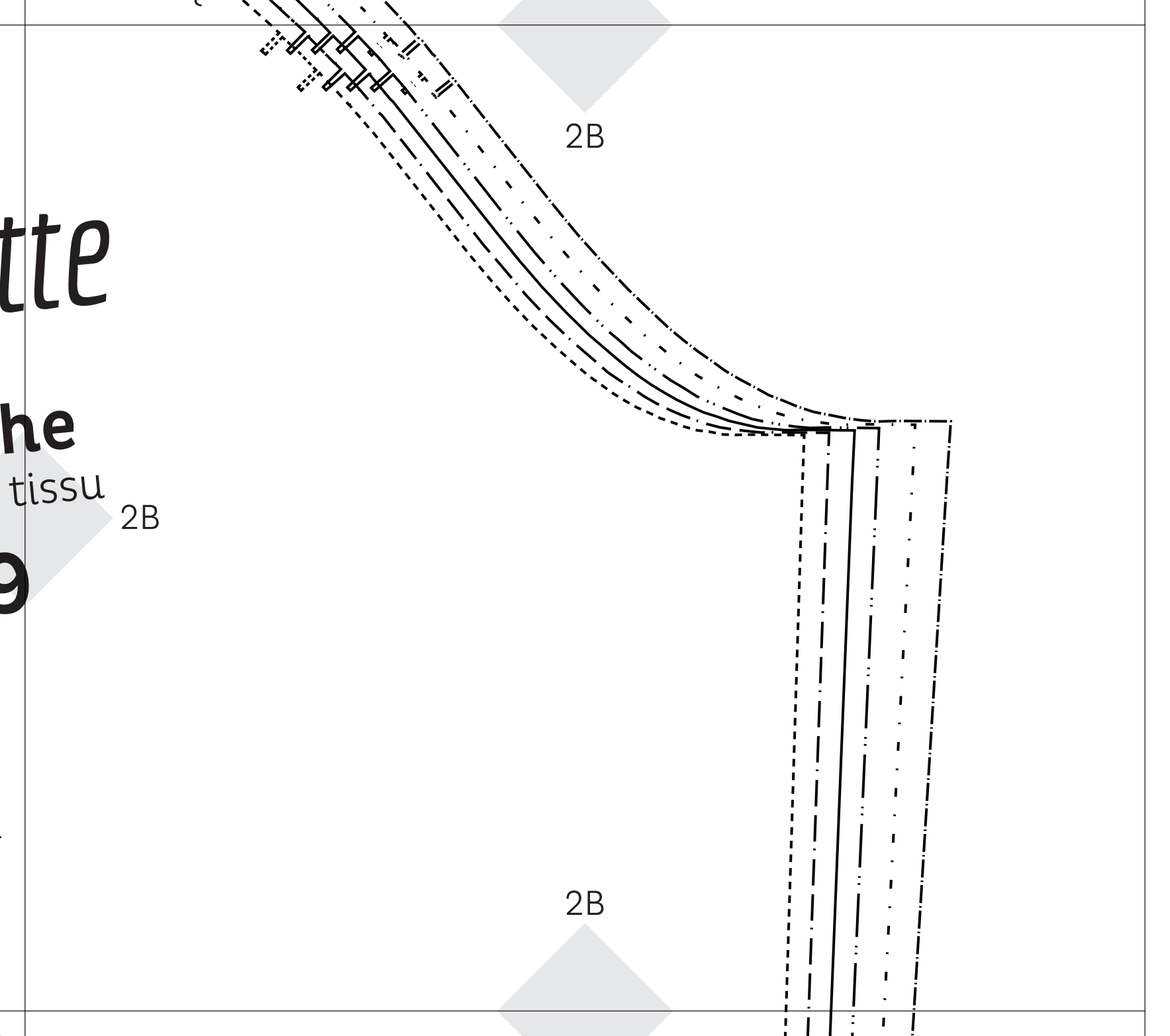
tissu

9

2B

2B

2B



3A

3A

Droit fil

3A

Drott III



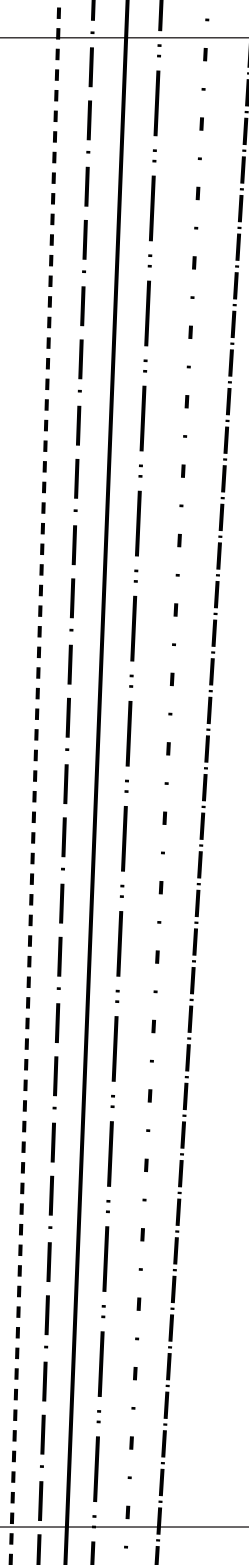
3B



3B



3B

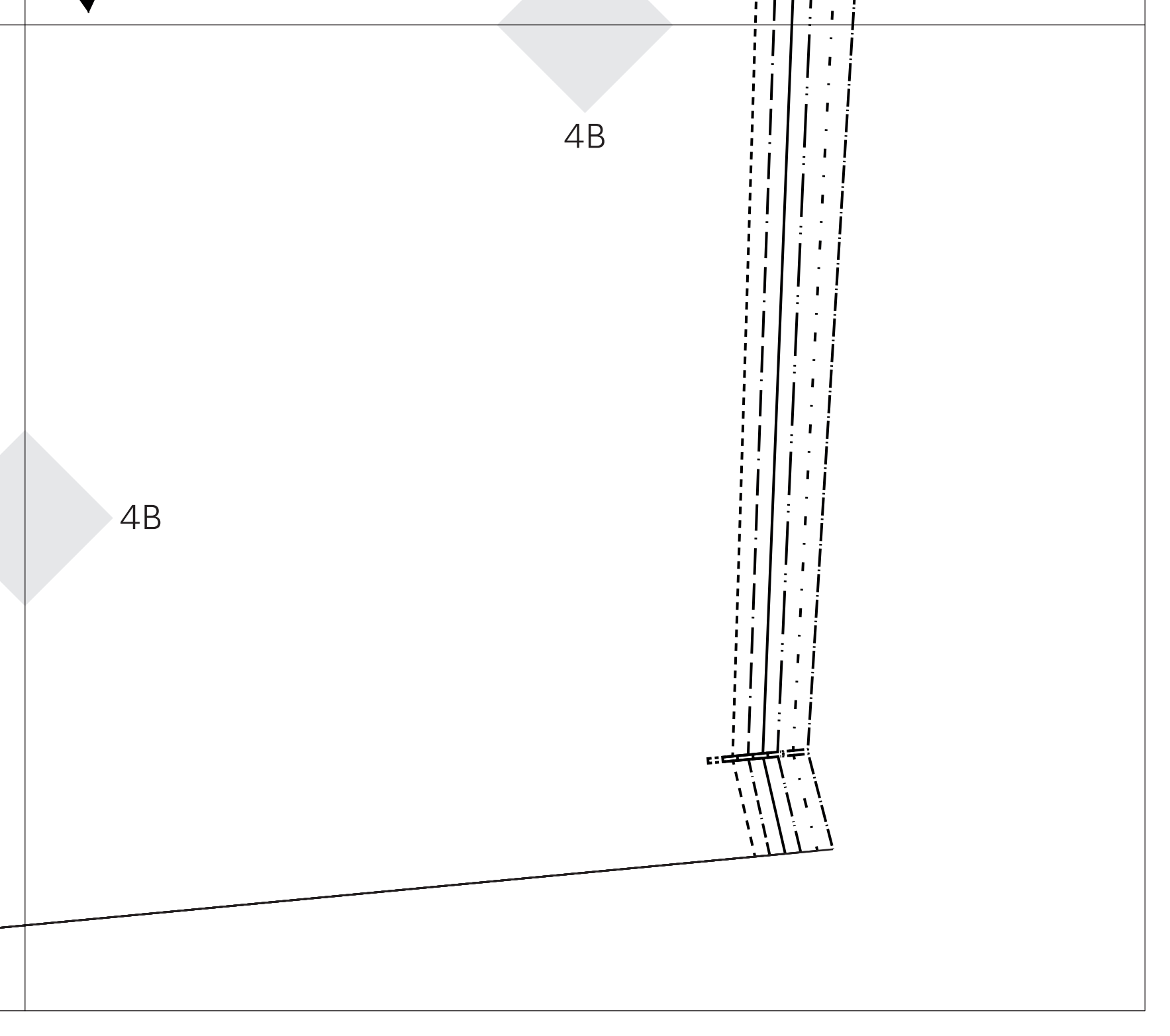




4A

The image shows a technical drawing of a tapered shaft. The shaft is oriented vertically, tapering from a larger diameter at the top to a smaller diameter at the bottom. The top end of the shaft is chamfered, indicated by a grey shaded diamond shape. The shaft is drawn with three distinct line styles: a solid line for the outer profile, a dash-dot line for the inner profile, and a dashed line for a third profile. A horizontal line is drawn across the narrowest part of the shaft, with a small arrow pointing to the right. The label '4A' is placed to the right of the shaft at two different vertical positions.

4A



4B

4B